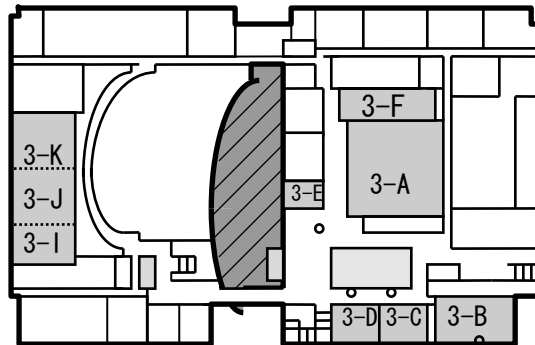


# Kyoto TERRSA Floor Map

## 3F (East Building)

- 3-I.J.K.  
Conference Room (Large)
- 3-I.  
Conference Room A
- 3-J.  
Conference Room B
- 3-K.  
Conference Room C

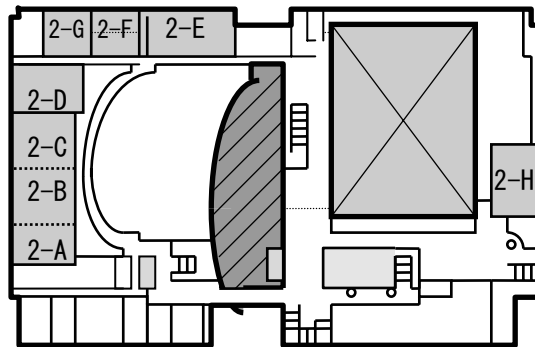


## 3F (West Building)

- 3-A.Conference Room No.1
- 3-B.Conference Room No.2
- 3-C.Conference Room No.3
- 3-D.Conference Room No.4
- 3-E.Conference Room No.5
- 3-F.Cultural Activities Room No.1

## 2F (East Building)

- 2-A.B.C.Seminar Room
- (2-A.Seminar room No.1  
2-B.Seminar room No.2  
2-C.Seminar room No.3)
- 2-D. Conference Room (Middle)
- 2-E.A V Study Room
- 2-F.Japanese Room & Tea-ceremony Room
- 2-G.Cookery Room

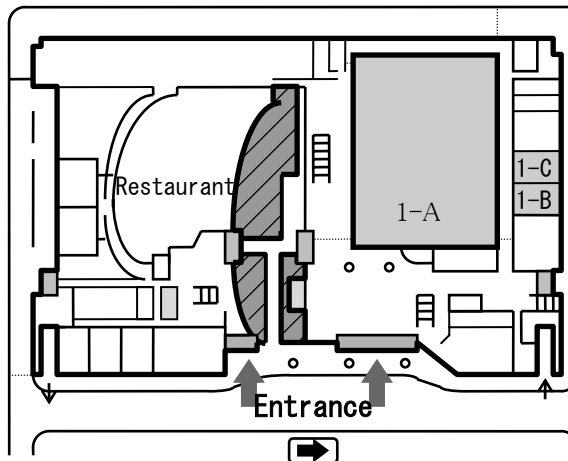


## 2F (West Building)

- 2-H.Rehearsal Room

## 1F (East Building)

- Restaurant
- ”SUZAKU”



## 1F (West Building)

- 1-A.TERRSA Hall
- 1-B.Waiting Room No.1
- 1-C.Waiting Room No.2 (Japanese Type)

